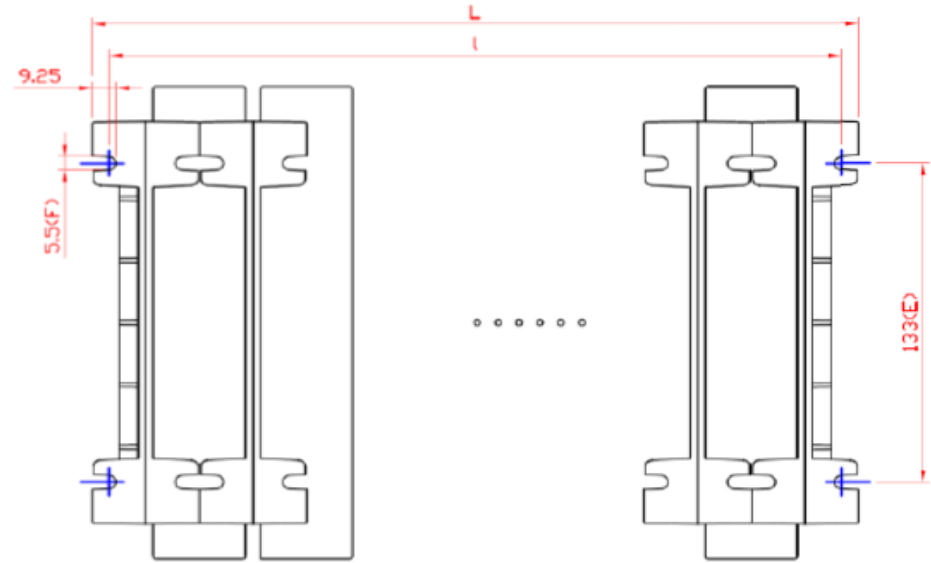
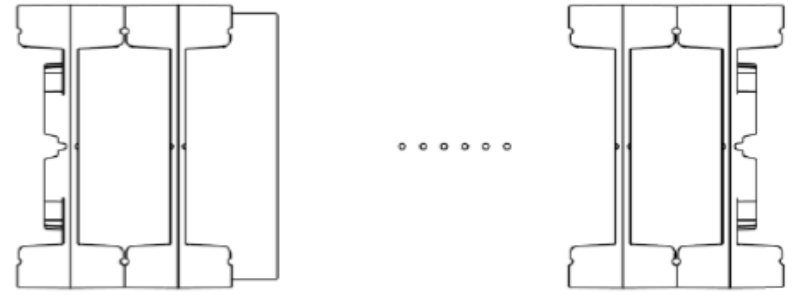
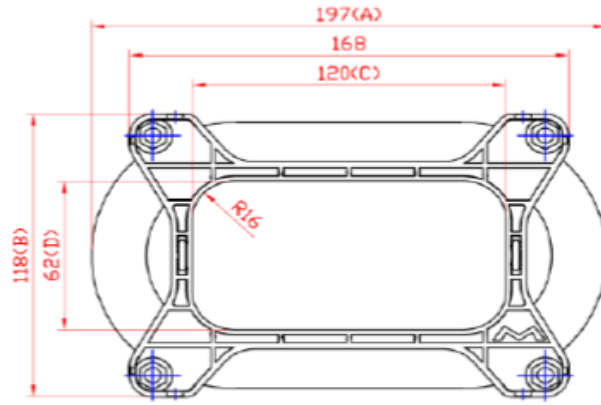


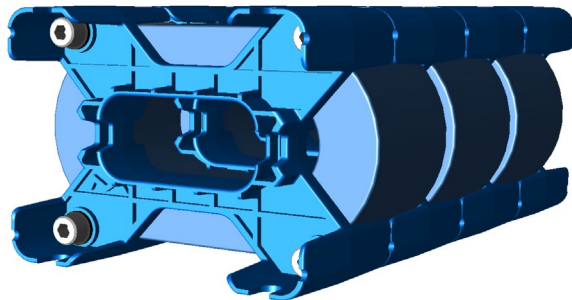
BRO155HP101-428

| REV | DATE | DESCRIPTION | BY |
|-----|------------|---------------|----|
| - | 2020/04/09 | INITIAL ISSUE | dr |



NOTE:

1. $L = 41 \times (X+1)$;
2. $I = L - 13$;



Note:

1. Brackets are sold by each. For a 4 core stack, 5 brackets are required.

Dimensions in mm

| | | |
|---|--------------------------|---------------------------------------|
| Tolerances: Per Drawing | Country of Origin: China | BRACKET OVAL 155HP101-428 CORE |
| Bracket Material: PA6/6 20%GF V0, RAL5012 (BLUE) | UL File: E215781 | |
| MH&W International Corp Phone 201-891-8800 Email: sales@mhw-intl.com | UL Rec: 94-V0 | Drawing Number: BRO155HP101-428 |
| | MF-9160 | Part Number: BRO155HP101-428 |