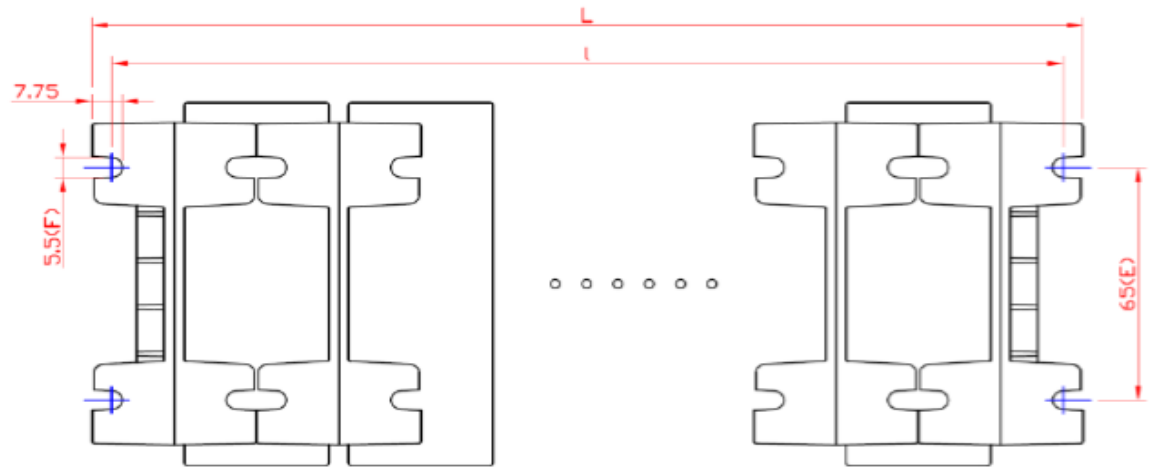
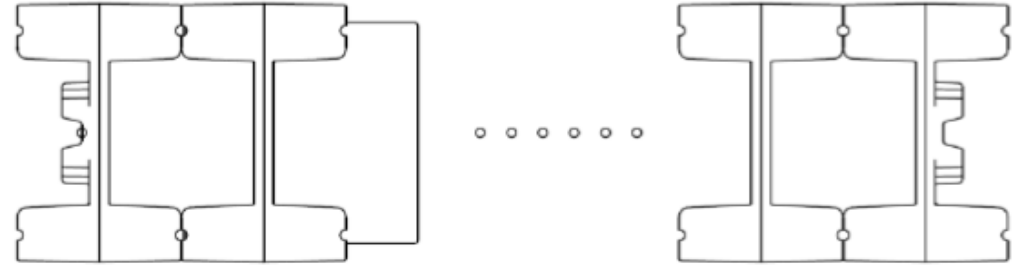
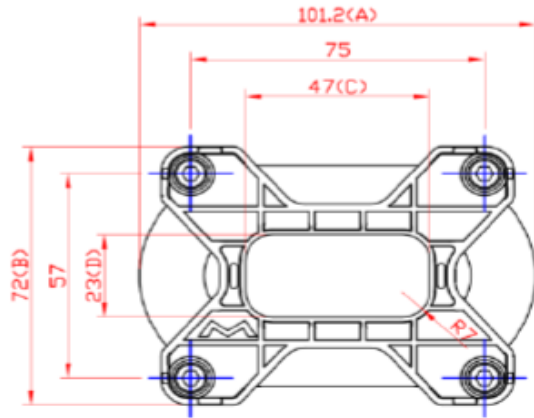


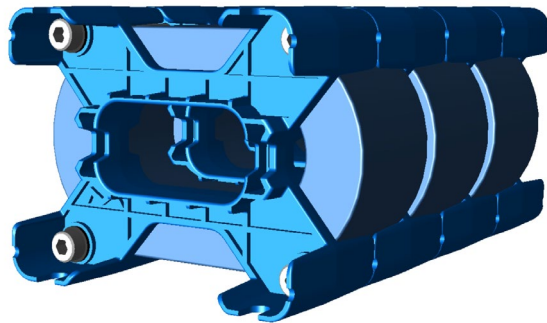
BRO68HP51-100

REV	DATE	DESCRIPTION	BY
-	2022/01/11	INITIAL ISSUE	dr



NOTE:

1. $L = 41 \times (X+1)$;
2. $I = L - 10$;



Note:

1. Brackets are sold by each. For a 4 core stack, 5 brackets are required.

Dimensions in mm

Tolerances: Per Drawing	Country of Origin: China	BRACKET OVAL 68HP51-100 CORE
Bracket Material: PA6/6 20%GF V0, RAL5012 (BLUE)	UL File: E215781	
MH&W International Corp Phone 201-891-8800 Email: sales@mhw-intl.com	UL Rec: 94-V0	Drawing Number: BRO68HP51-100
	MF-9080	Part Number: BRO68HP51-100