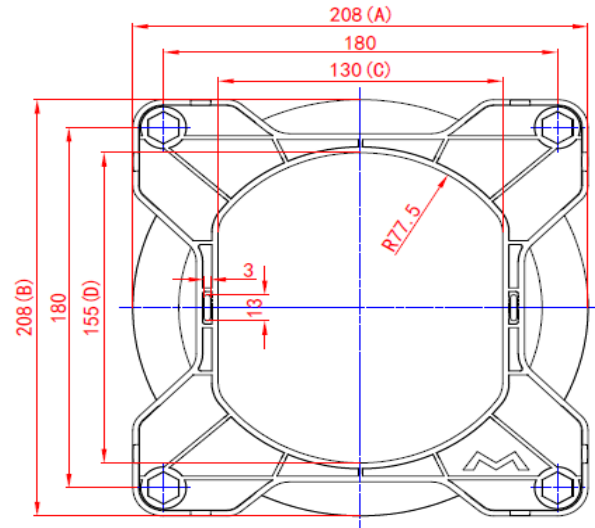
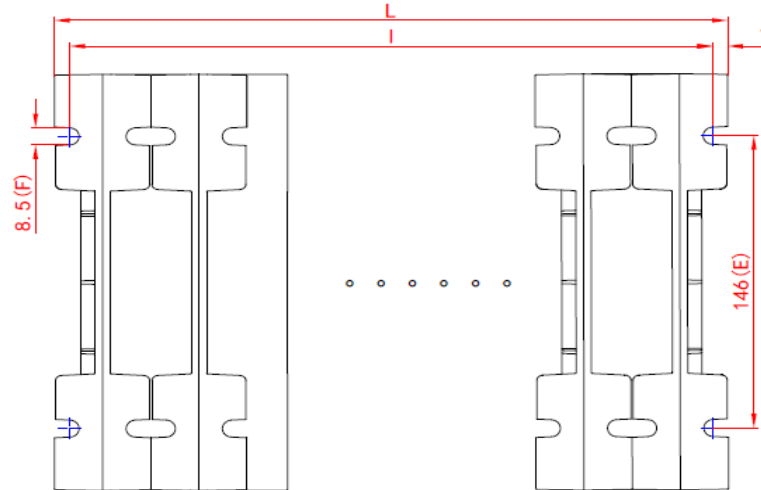
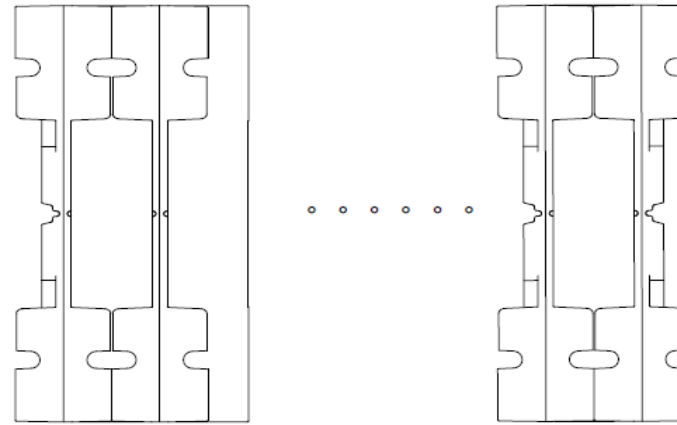
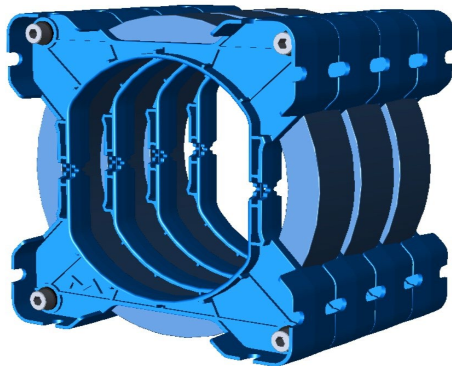


BRR166HP429-1631

REV	DATE	DESCRIPTION	BY
-	2022/01/11	INITIAL ISSUE	dr



- NOTE:
1. $L = 42 \times (X + 1)$
 2. $I = L - 14$



- Note:
1. Brackets are sold by each. For a 4 core stack, 5 brackets are required.

Dimensions in mm

Tolerances: Per Drawing	Country of Origin: China	BRACKET ROUND 166HP429-1631 CORE
Bracket Material: PA6/6 20%GF V0, RAL5012 (BLUE)	UL File: E215781	
MH&W International Corp Phone 201-891-8800 Email: sales@mhw-intl.com	UL Rec: 94-V0	Drawing Number: BRR166HP429-1631
	MF-8200	Part Number: BRR166HP429-1631