



# N18HP1/4-1ØBL

## Product Specification For Inductive Differential Mode Choke Components



### MH&W International Corp.

575 Corporate Drive Mahwah, NJ 07430 USA

Phone 201-252-8125 Email: coolblue@mhw-intl.com

### Mechanical Specification

**Part Number:**

N18HP1/4-1ØBL

**Nominal Core Dimensions:**

0.98 X 0.79 X 0.39 inch  
(25 x 20 x 10 mm)

**Finished Core Dimensions:**

OD ≤ 1.09 inch (27.06 mm)  
ID ≥ 0.70 inch (17.8 mm)  
H ≤ 0.49 inch (12.5 mm)

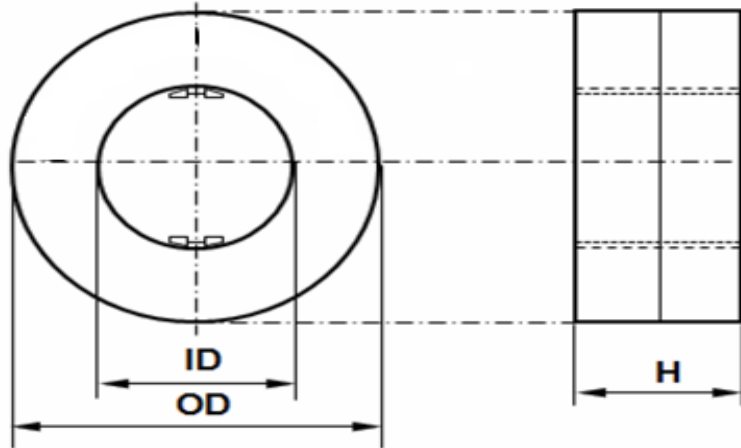
$$\ell_{\text{E}} = 7.1 \text{ cm} \quad A_{\text{E}} = 0.20 \text{ cm}^2$$

Currie Temp = 1,112°F (600 °C)

RTI Temp (0.81) = 248°F (120°C)

Core Material: Nanoperm

Marking: N18HP1/4-1ØBL



Notes:

Packing: 63 pc per layer, 6 layers/box; Box Quantity = 378 pcs

### Electrical Core Performance

Permeability @ frequency = 10 KHz and Hpeak = 3.0 mA/cm ~90,000

Inspection Value	Measured Value	Measurement Limits	Frequency	L <sub>eff</sub> * N (mA*turn)
	A <sub>g</sub> (μH/N <sup>2</sup> )	22.5 - 41.3	10 KHz	15
	A <sub>g</sub> (μH/N <sup>2</sup> )	5.6 min	100 KHz	15

### Core Finishing

Type:	BLUE Case	Case material:	Zytel FR70G25 V0 NNC10 with RAL 5012 Blue Pigment
Case UL file Number:	E36632	Voltage Breakdown:	2,500 volts rms between two copper wires on the core

### Certification

MH&W International certifies that the manufacturing and the quality process meet all requirements of IEC Part 1: General Specification for "Fixed Inductors For Electromagnetic Interference Suppression", IEC 60938-1:1999 + A1:2006. This International Standard is used in lieu of requirements/documents pertaining to UL, CE, CSA, DIN and other individual agencies. The flame insulation rating meets UL-94V-0.

MH&W International certifies the product described herein is in compliance with the Directive 2011/65/EU of the European Parliament and of the council of 8 June, 2011 on the Restriction of the use of Certain Hazardous Substances in Electrical and Electronic Equipment (RoHS2 Directive).

Revision #	DATE	Alteration	Drawing Approval	
4	8/17/2017	INITIAL ISSUE	Engineering:	K. Giles
5	8/14/2018	NEW CASE	Sales:	B. Wilson
Drawing Number: N18HP1/4-1ØBL				